



COMETAL®

HORAD FORMWORK R > 3m



Horad formwork R > 3m

TABLE OF CONTENTS

Front cover	pag.1
Table of Contents	pag.2
Horad formwork R>3m	pag.3
Tie holes panels	pag.4
Horad accessories	pag.5
Horad general	pag.10



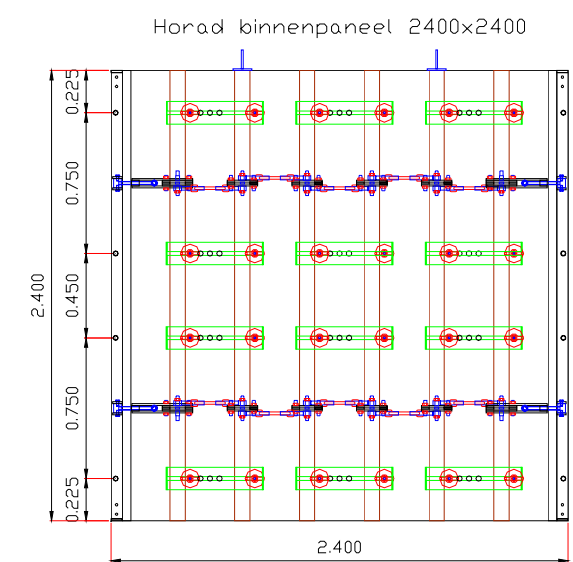
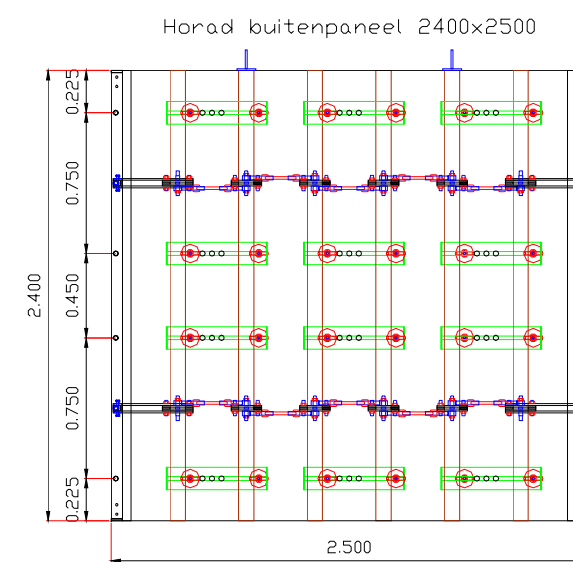
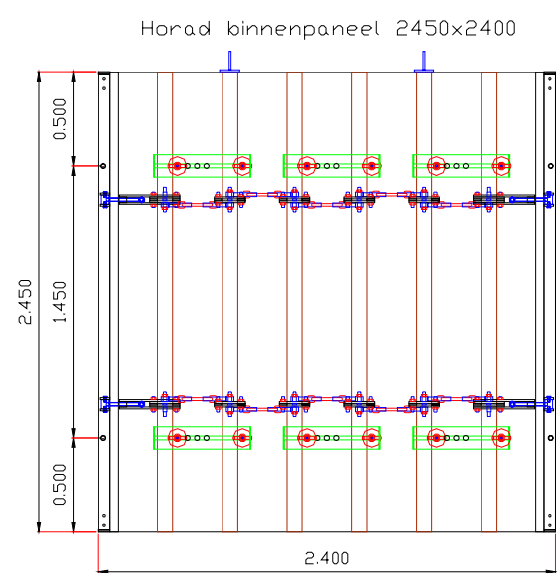
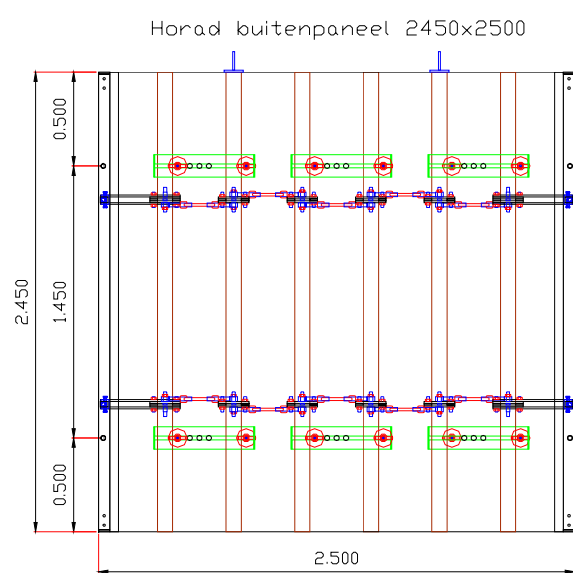
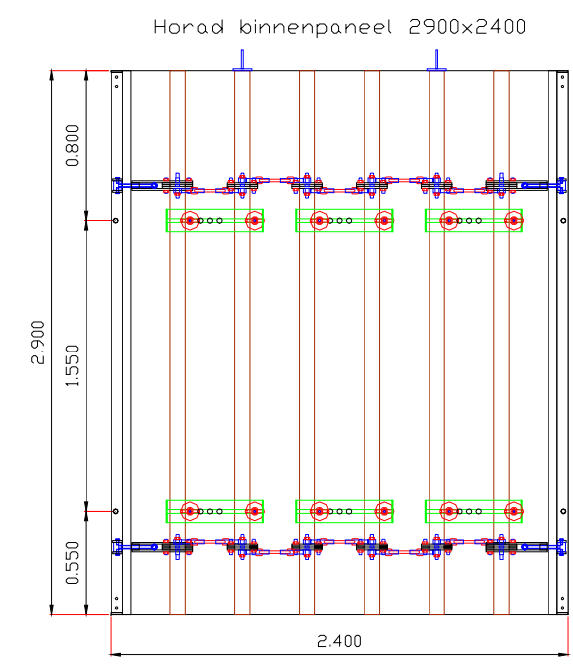
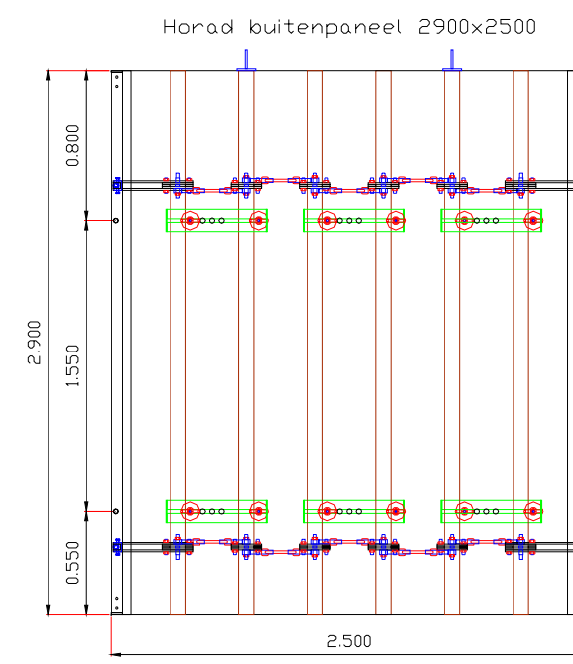
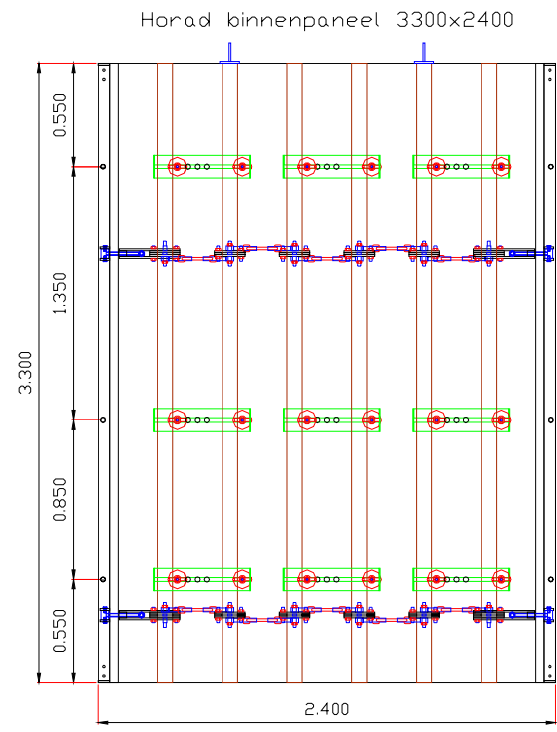
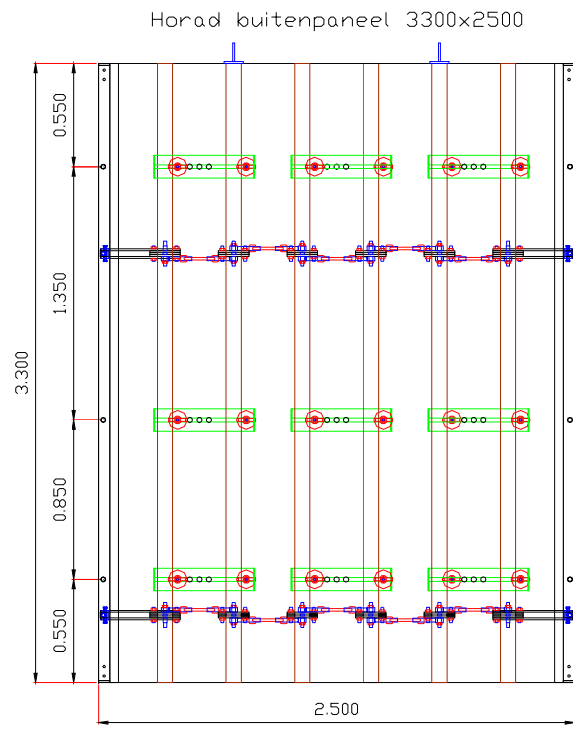
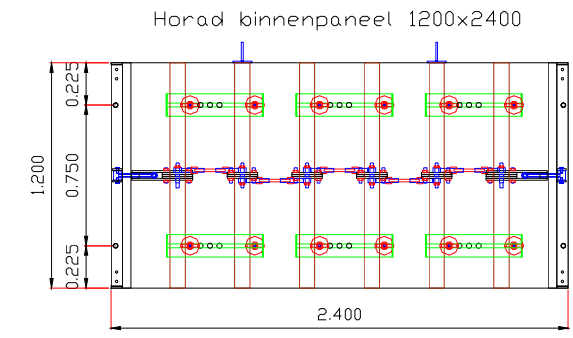
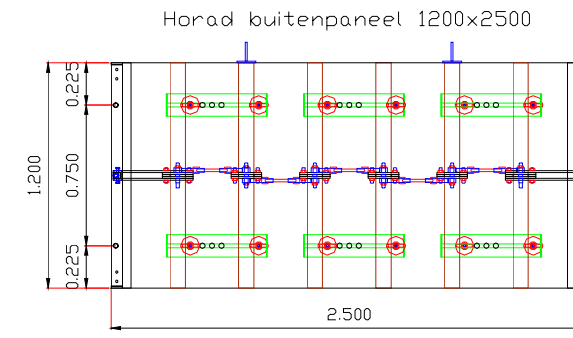
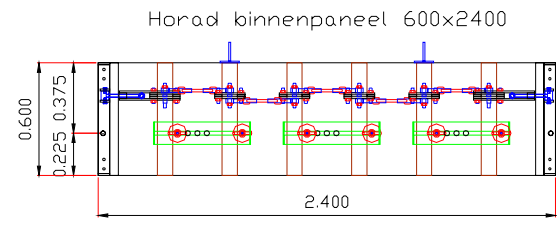
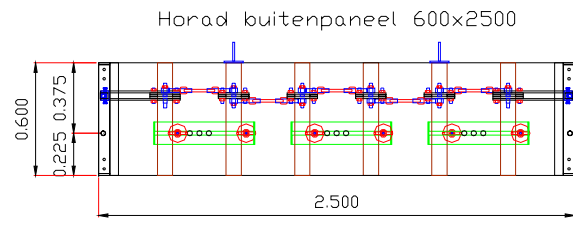
Technical sheet

Horad formwork R > 3m

Description / principle drawing / picture	Article number	Weight
Curved inner panel 3300 x 2400mm Curved outer panel 3300 x 2500mm	HRO330240 HRO330250	391,00 kg 402,00 kg
Curved inner panel 2900 x 2400mm Curved outer panel 2900 x 2500mm	HRO290240 HRO290250	360,00 kg 371,00 kg
		
Curved inner panel 2450 x 2400mm Curved outer panel 2450 x 2500mm	HRO245240 HRO245250	326,00 kg 336,00 kg
Curved inner panel 2400 x 2400mm Delta Curved outer panel 2400 x 2500mm Delta	HRD240240 HRD240250	383,00 kg 393,00 kg
		
Curved inner panel 1200 x 2400mm Curved outer panel 1200 x 2500mm	HRO120240 HRO120250	229,00 kg 238,00 kg
Curved inner panel 600 x 2400mm Curved outer panel 600 x 2500mm	HRO060240 HRO060250	115,00 kg 120,00 kg



Horad formwork R > 3m



Technical sheet





Horad formwork R > 3m

Article number	Description / principle drawing / picture	Weight
KLE003	<p>COMPENSATION COUPLER SHORT</p> 	3,37 kg
KLE004	<p>COMPENSATION COUPLER</p> 	4,61 kg
KLE011	<p>BASE COUPLER CURVED FORMWORK CPL</p> 	3,80 kg
PBA050	<p>COMPENSATION BEAM 0,50M</p> 	5,43 kg



Technical sheet





Horad formwork R > 3m

Article number	Description / principle drawing / picture	Weight
SPA015075 SPA015100 SPA015125 SPA015150 SPA015175 SPA015200	TIE ROD 15MM 0,75M 85kN TIE ROD 15MM 1,00M 85kN TIE ROD 15MM 1,25M 85kN TIE ROD 15MM 1,50M 85kN TIE ROD 15MM 1,75M 85kN TIE ROD 15MM 2,00M 85kN (other length also available, up to 6m)	1,13 kg 1,50 kg 1,88 kg 2,25 kg 2,63 kg 3,00 kg
		
MOE015002	WING NUT BRACKET 15MM D.100MM	0,65 kg
		
MOE015004	COMBINATION PLATE 15MM	1,42 kg
		
TOE005	TIE HOLDER	3,60 kg
		



Technical sheet




Horad formwork R > 3m

Article number	Description / principle drawing / picture	Weight
VEI004	BRACKET CURVED FORMWORK 	17,50 kg
RIC001	PUSH & PULL PROP SINGLE 230 	18,80 kg
RIC002	PUSH & PULL PROP SINGLE 85 	8,00 kg
RIC003	PUSH & PULL PROP SINGLE 160 	14,40 kg



Technical sheet


Horad formwork R > 3m

Article number	Description / principle drawing / picture	Weight
RIC004	<p>PUSH & PULL PROP SINGLE LONG</p> 	27,50 kg
RIC005	<p>PUSH & PULL PROP DOUBLE 160-230</p> 	33,85 kg
RIC006	<p>PUSH & PULL PROP DOUBLE 85-160</p> 	34,00 kg



Technical sheet

Horad formwork R > 3m

Article number	Description / principle drawing / picture	Weight
TCP015	CONNECTION PIN CPL. 	0,15 kg



